

SPEC SHEET

SUPERMILES

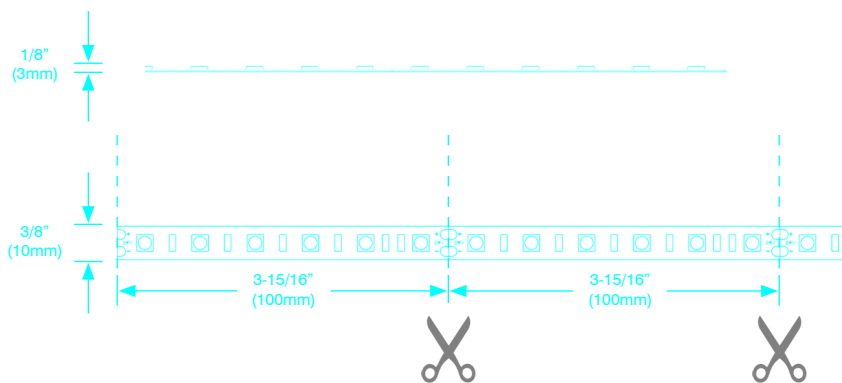
flexible LED strip light

LED technical:

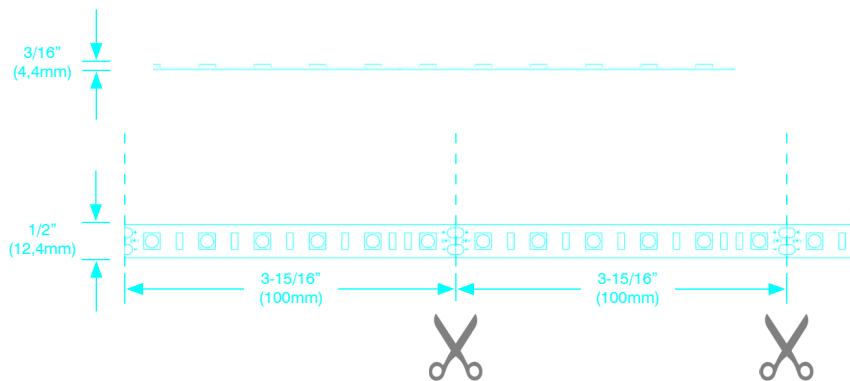
- available for indoor or outdoor use
- LED lifetime up to 30,000 hours
- easy install, 3M adhesive tape on back side
- flexible
- 5 meters per roll
- power consumption 14.4 Watt/meter
- 24 Volt DC constant voltage driver (not included)
- class II wiring
- colour changing version available (see Miles rgb)



Indoor use model



Outdoor use model



please specify:

MODEL	551
APPLICATION	<input type="checkbox"/> 262 - indoor use <input type="checkbox"/> 263 - outdoor use
COLOUR	<input type="checkbox"/> 70 - 3000 K <input type="checkbox"/> 40 - 4000 K



indoor use model	IP00 NOT PROTECTED
outdoor use model	IP65 DUST AND WATER SAFE

QUANTITY	PROJECT
NOTES	

www.sensolighting.com
 info@sensolighting.com
 T 403.216.7043
 F 403.216.7045



512 Manitou Road SE, Calgary, Alberta, T2G 4C4