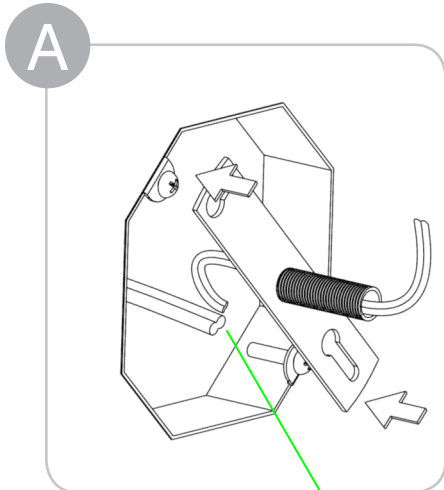
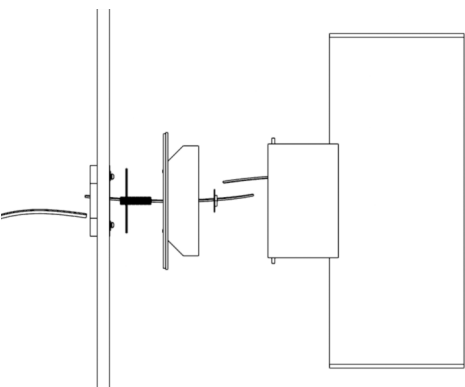
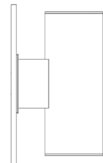


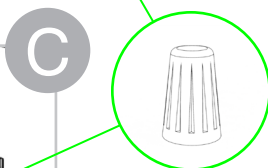
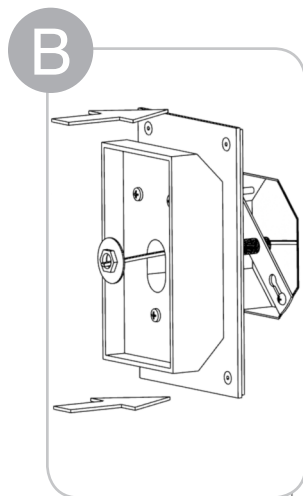
INSTALLATION SHEET

BOLD

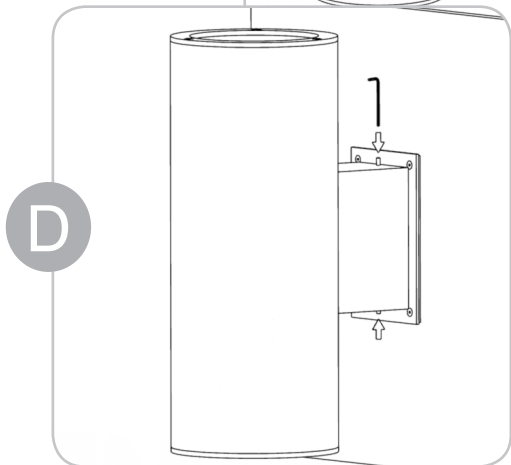
outdoor wall light fixture



x 2



x 2



IMPORTANT INSTRUCTIONS

read and follow these instructions before installing or maintaining this product



location

- this product is suitable for **OUTDOOR LOCATIONS**
- make sure this product is NOT on the same circuit as inductive loads, (e.g. fluorescent bulbs, discharge bulbs, ventilation fans, etc...)

safety

- Do not switch on line voltage until all wiring has been complete
- Incorrect wiring will result in irreparable damage to the LED and power supply
- This product should only be installed by a licensed electrician

INSTALLATION

switch off the line voltage supply

- A** fix the cross bar to the electric box
connect pass-through wire to the line voltage
- B** fix the mounting plate to the wall, using the threaded pipe
- C** connect the fixture to the pass-through wire
push the fixture in place
- D** secure the fixture in place, using the screws on top and bottom

WARRANTY

- This product must be installed in accordance with all applicable installation codes and ordinance
- Limited two (2) years warranty
- Warranty is void in the eventuality of unauthorized modifications and/or improper use



www.sensolighting.com
info@sensolighting.com
T 403.216.7043
F 403.216.7045

 **SENSO**
Lighting

512 Manitou Road SE, Calgary, Alberta, T2G 4C4