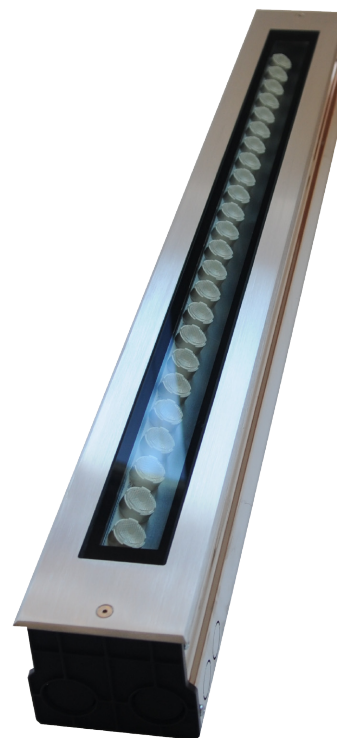


INSTALLATION SHEET

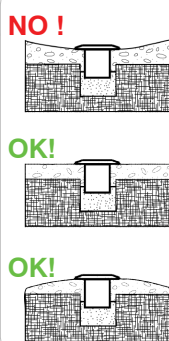
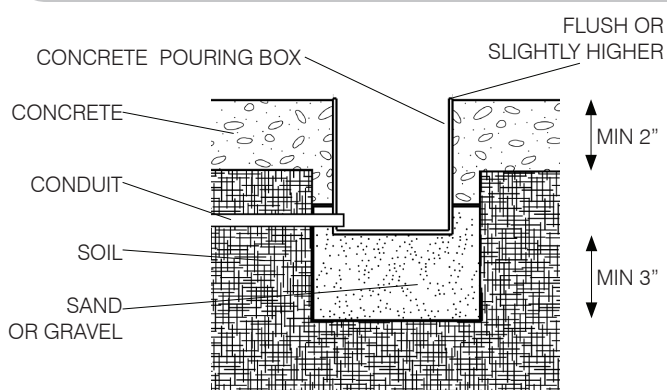
SLAB

Inground LED light



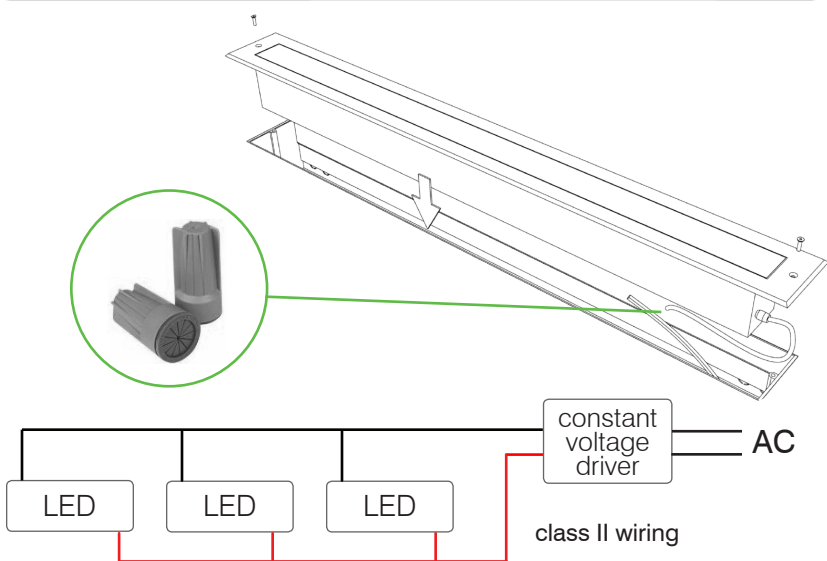
A Prepare the hole

- Dig a hole that is at least 3" deeper than the height of the fixture and fill this 3" gap with gravel or sand for drainage
- Dig a trench of 18" deep if installing conduit
- Put the concrete pour box in place
- Pull electrical wire supply through the conduit entry, about 12" total to have enough for connections
- Tuck the wires in, put the cover of the concrete pour box
- Make sure the fixture is positioned correctly, using rebar or other anchoring device if needed. **NOTE: The fixture position cannot be altered after the concrete has set**
- Pour concrete. **Must be at least 2" thick**
- Let set and cure



B Complete the assembly

- Connect the fixture to the electrical wire supply, using silicon wire nuts
- Screw the fixture to the concrete pour box



driver: constant voltage driver, 12V DC

www.sensolighting.com
 info@sensolighting.com
 T 403.216.7043
 F 403.216.7045

SENSO
 Lighting

512 Manitou Road SE, Calgary, Alberta T2G 4C4

IMPORTANT INSTRUCTIONS

read and follow these instructions before installing or maintaining this product



- make sure this product is NOT on the same circuit as inductive loads, (e.g. fluorescent bulbs, discharge bulbs, ventilation fans, etc...)
- Do not switch on line voltage until all wiring has been complete
- Incorrect wiring will result in irreparable damage to the LED and power supply
- This product should only be installed by a licensed electrician
- This product requires a remote driver

WARRANTY

- This product must be installed in accordance with all applicable installation codes and ordinance
- Limited two (2) years warranty
- Warranty is void in the eventuality of unauthorized modifications and/or improper use



rev. 2011|10