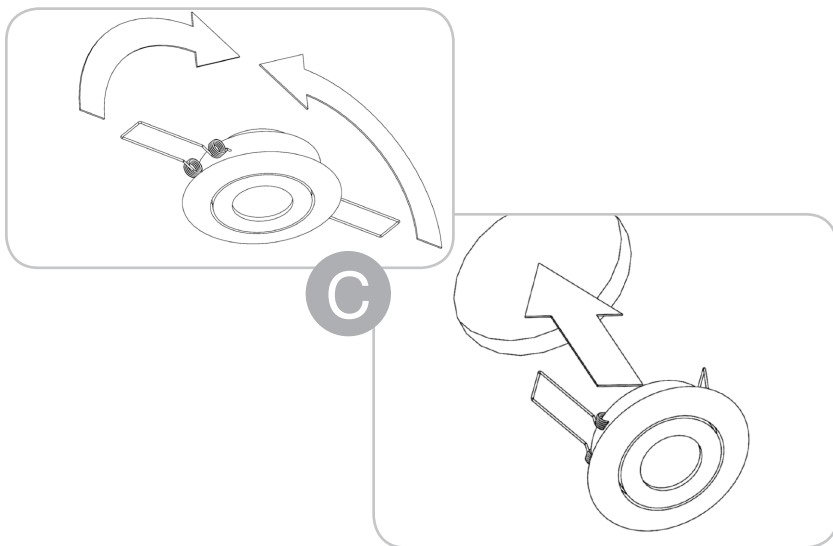
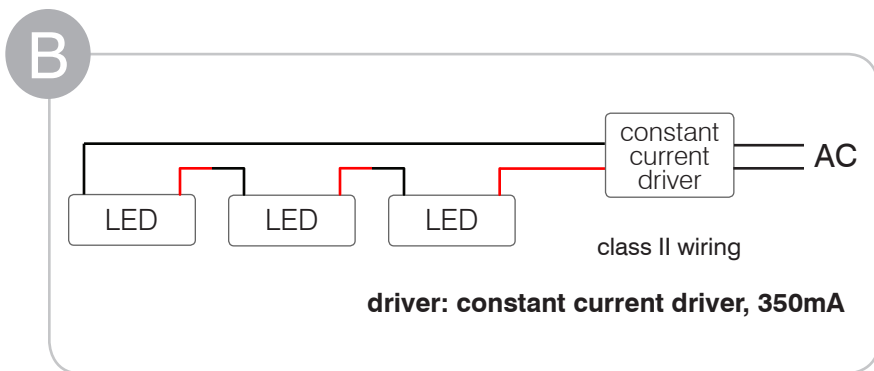
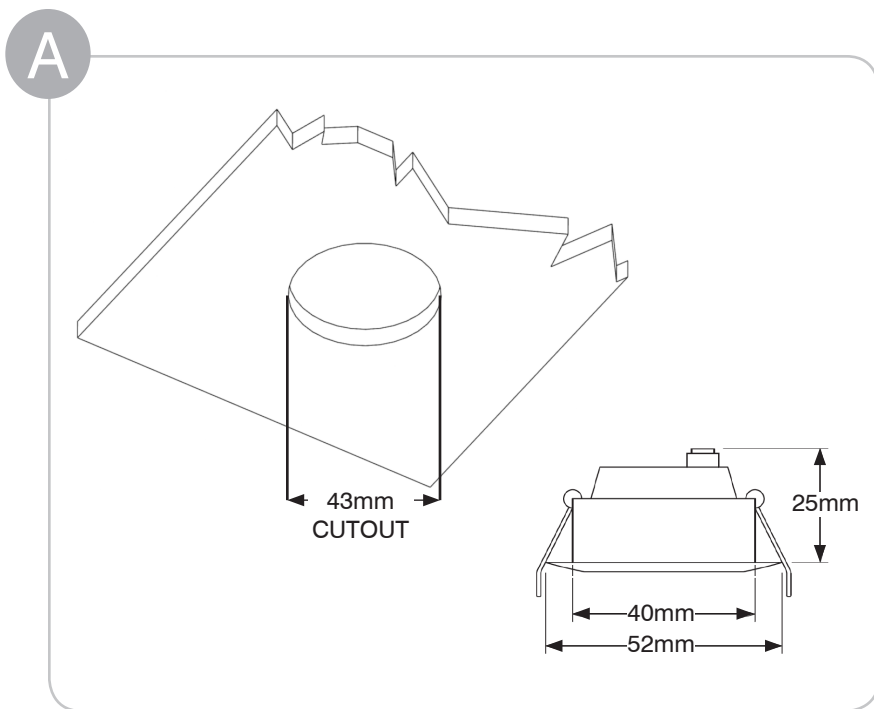
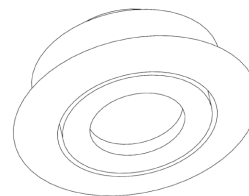


INSTALLATION SHEET

PLACE round flushmount display LED



IMPORTANT INSTRUCTIONS



read and follow these instructions before installing or maintaining this product

location

- this product is suitable for **DRY INDOOR LOCATIONS ONLY**
- make sure this product is NOT on the same circuit as inductive loads, (e.g. fluorescent bulbs, discharge bulbs, ventilation fans, etc...)

safety

- Do not switch on line voltage until all wiring has been complete
- Incorrect wiring will result in irreparable damage to the LED and power supply
- This product should only be installed by a licensed electrician
- **DO NOT CONNECT DIRECTLY TO LINE VOLTAGE**

INSTALLATION

switch off the line voltage supply

- A** Cut a hole according to dimension
- B** Connect the LED to driver, driver to line voltage according to the drawing
- C** Put the fixture in place

WARRANTY

- This product must be installed in accordance with all applicable installation codes and ordinance
- Limited two (2) years warranty
- Warranty is void in the eventuality of unauthorized modifications and/or improper use



www.sensolighting.com
info@sensolighting.com
T 403.216.7043
F 403.216.7045



512 Manitou Road SE, Calgary, Alberta T2G 4C4