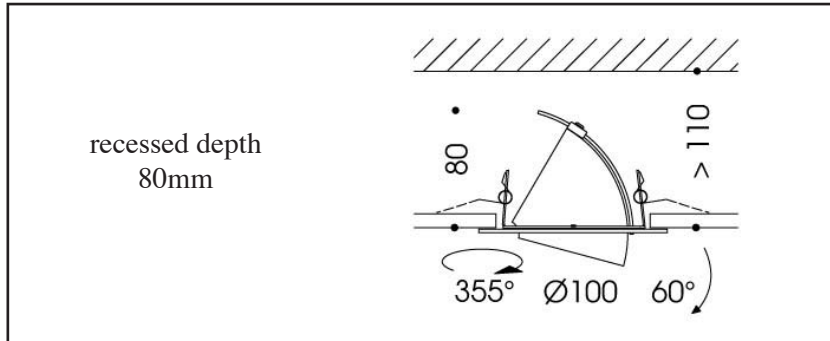
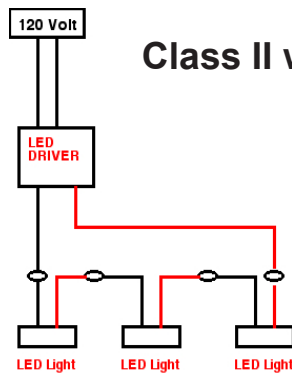
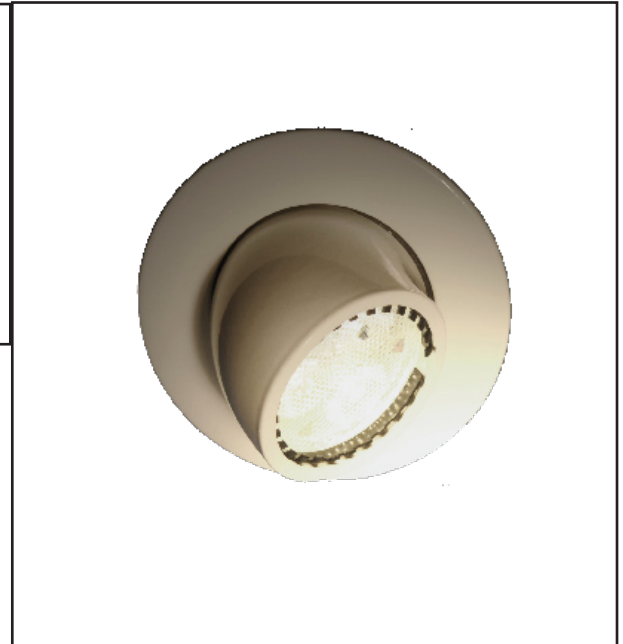
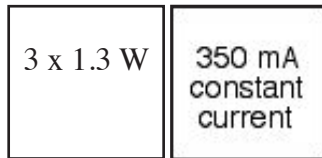


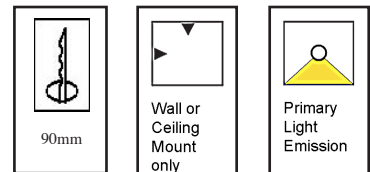
## INSTALL INSTRUCTION PRODUCT HERMES°



all measurements are in millimeters (mm),  
to get inches divide by 25.4



**Class II wiring !**



### INSTALLATION INSTRUCTIONS

1. Make sure that this product is NOT on the same circuit as Inductive loads, such as Fluorescent bulbs, discharge bulbs, ventilation fans etc.
2. Switch off the Line Voltage supply.
3. Cut a hole in the location where you require this product to be installed (see above for hole cut out dimensions)
4. Connect wire to power supply ( led 350ma in series, Driver by Senso Lighting )
5. Bend the spring clips on this product upwards and insert with the product springs first into the hole.
6. Push the product into the cutout hole allowing the spring clips to release. The tension on the spring clips will hold the product in place.
7. Check you have followed these instructions fully, incorrect wiring will result in irreparable damage to the LED's and to the driver.
8. Now you can switch on the supply.
9. Limited Warranty 2 Year
10. Enjoy a long life light source

### WARNING

**This product should only be installed by a licensed electrician.**

Do not switch on line voltage until all wiring has been completed.  
 Incorrect wiring will result in irreparable damage to the LED and power supply.  
**DO NOT CONNECT DIRECTLY TO LINE VOLTAGE.**  
**DO NOT USE FOR ANY OTHER PURPOSE.**  
 Isolate supply before connection.  
 Suitable for non IC installations.