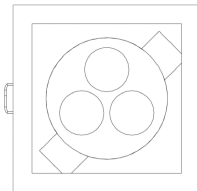


INSTALLATION SHEET

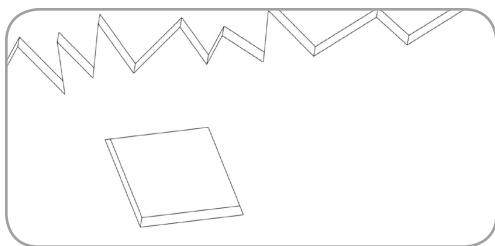
SOLE I, II

recessed light fixture, square trim

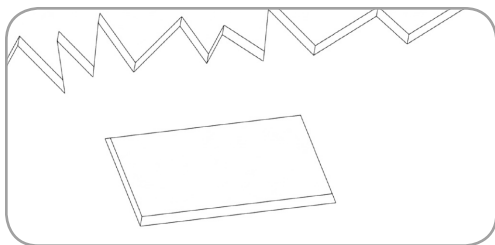


A CUTOUT:

SOLE I
3" x 3"
(74 x 74mm)



SOLE II
6-3/8" x 3"
(160mm x 74mm)



IMPORTANT INSTRUCTIONS

read and follow these instructions before installing or maintaining this product



location

- this product is suitable for **DRY INDOOR LOCATIONS ONLY**
- make sure this product is NOT on the same circuit as inductive loads, (e.g. fluorescent bulbs, discharge bulbs, ventilation fans, etc...)
- allow air to flow freely around the fixture
- **DO NOT INSTALL INSULATION WITHIN 3" (76mm) OF THE FIXTURE**
- ceiling thickness must be between 1/8" and 1" (3mm and 25.4mm)

safety

- Do not switch on line voltage until all wiring has been complete
- Incorrect wiring will result in irreparable damage to the LED and power supply
- This product should only be installed by a licensed electrician

INSTALLATION

switch off the line voltage supply

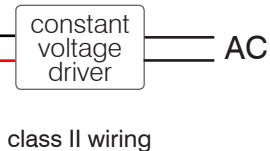
- A cut a hole according to dimension
- B connect wire to power supply (see diagram)
- C flip the retention springs upward
- D push the fixture in place

WARRANTY

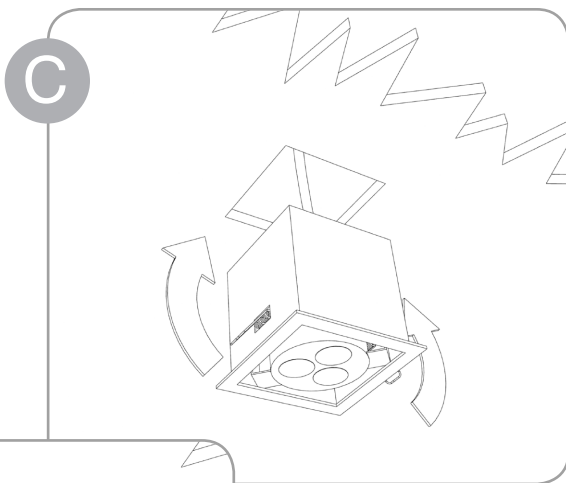
- This product must be installed in accordance with all applicable installation codes and ordinance
- Limited two (2) years warranty
- Warranty is void in the eventuality of unauthorized modifications and/or improper use

B

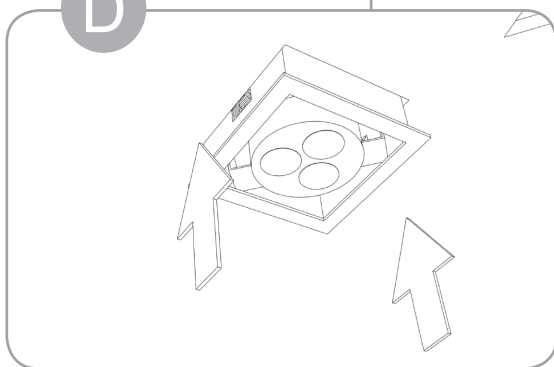
driver: constant voltage driver, 12V DC



C



D



www.sensolighting.com
info@sensolighting.com
T 403.216.7043
F 403.216.7045

 **SENSO**
Lighting

512 Manitou Road SE, Calgary, Alberta T2G 4C4